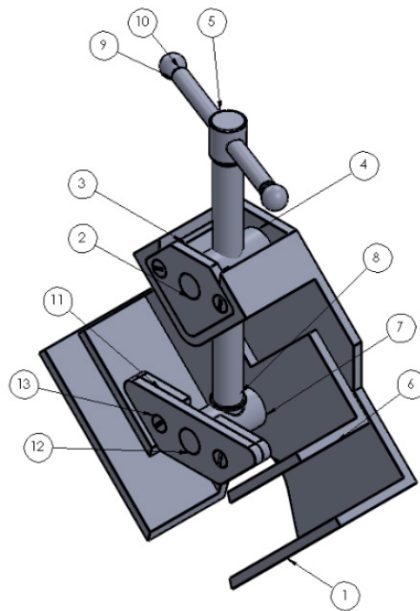


Project 3

Angle Clamp Assembly

In this project, you will create components for a Angle Clamp assembly and then assemble them. You need to create all the components as separate part files. The views and dimensions of the components are shown in Figures P3-3 through P3-13.

You can also download the model files for your reference from www.cadcim.com. To download the files, use the following path: *Textbooks > CAD/CAM > Autodesk Inventor > Autodesk Inventor Professional 2021 for Designers > Projects for Free Download > Project 3*



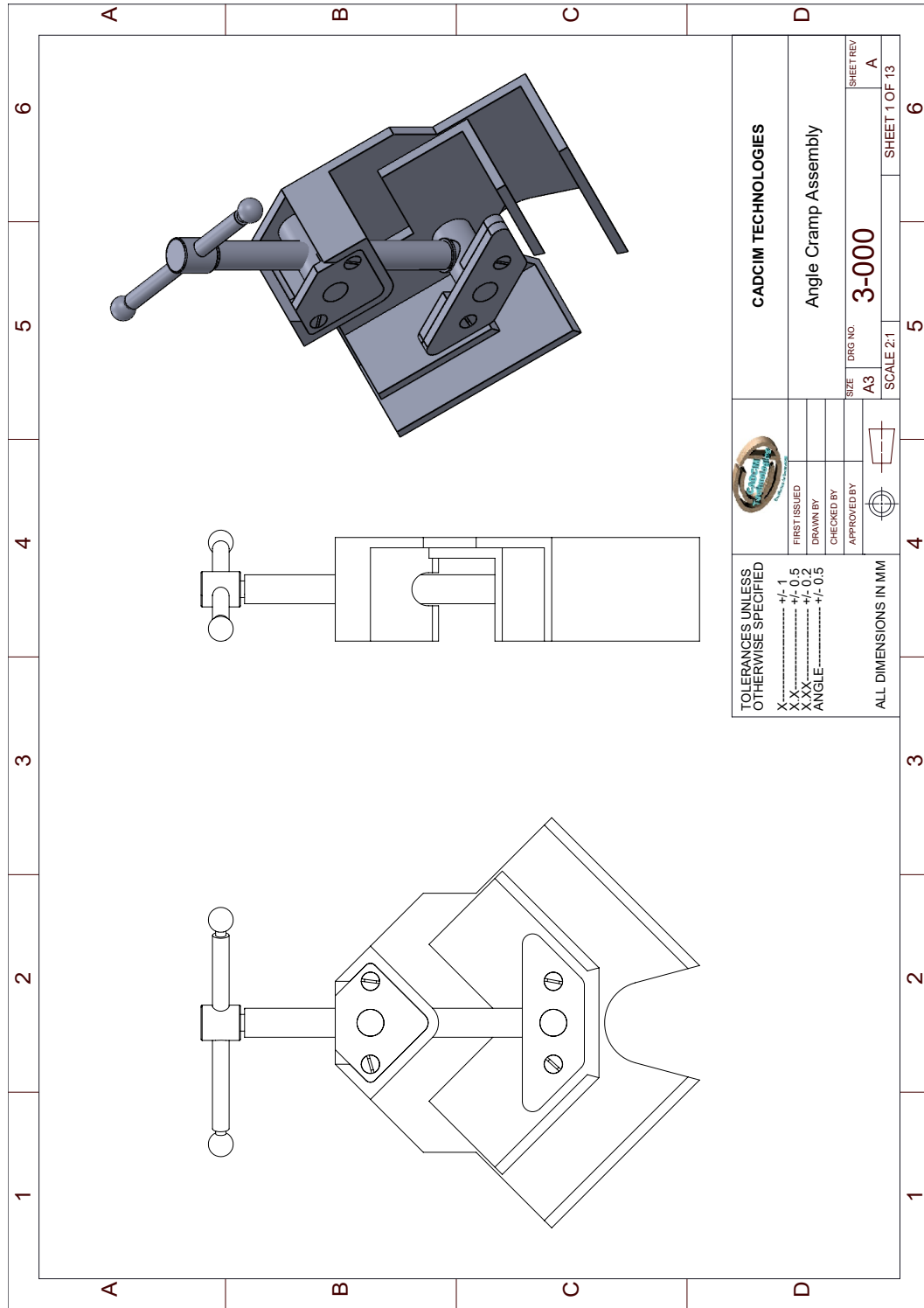


Figure P3-1 The Angle Clamp assembly

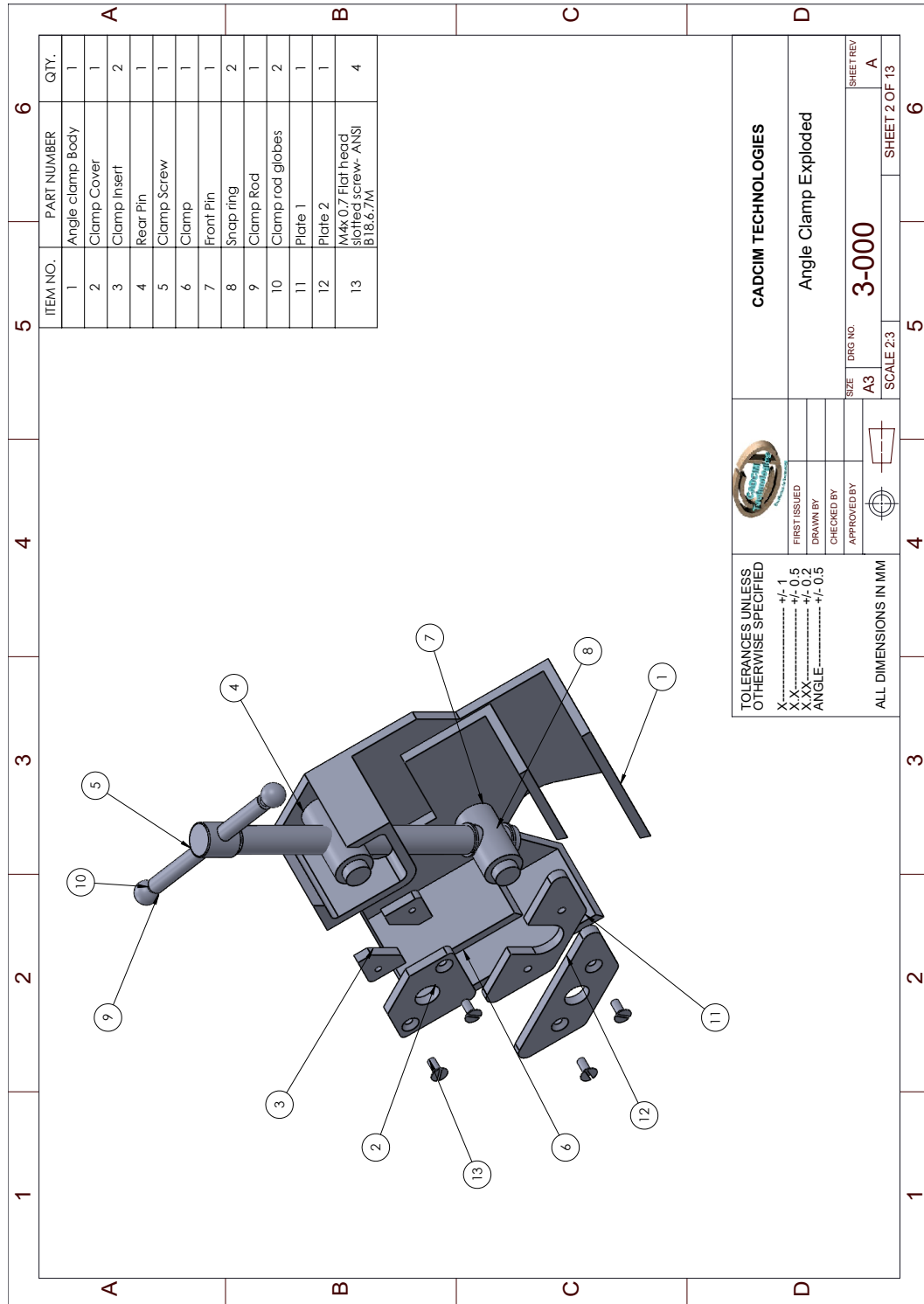


Figure P3-2 The exploded view of Angle Clamp assembly

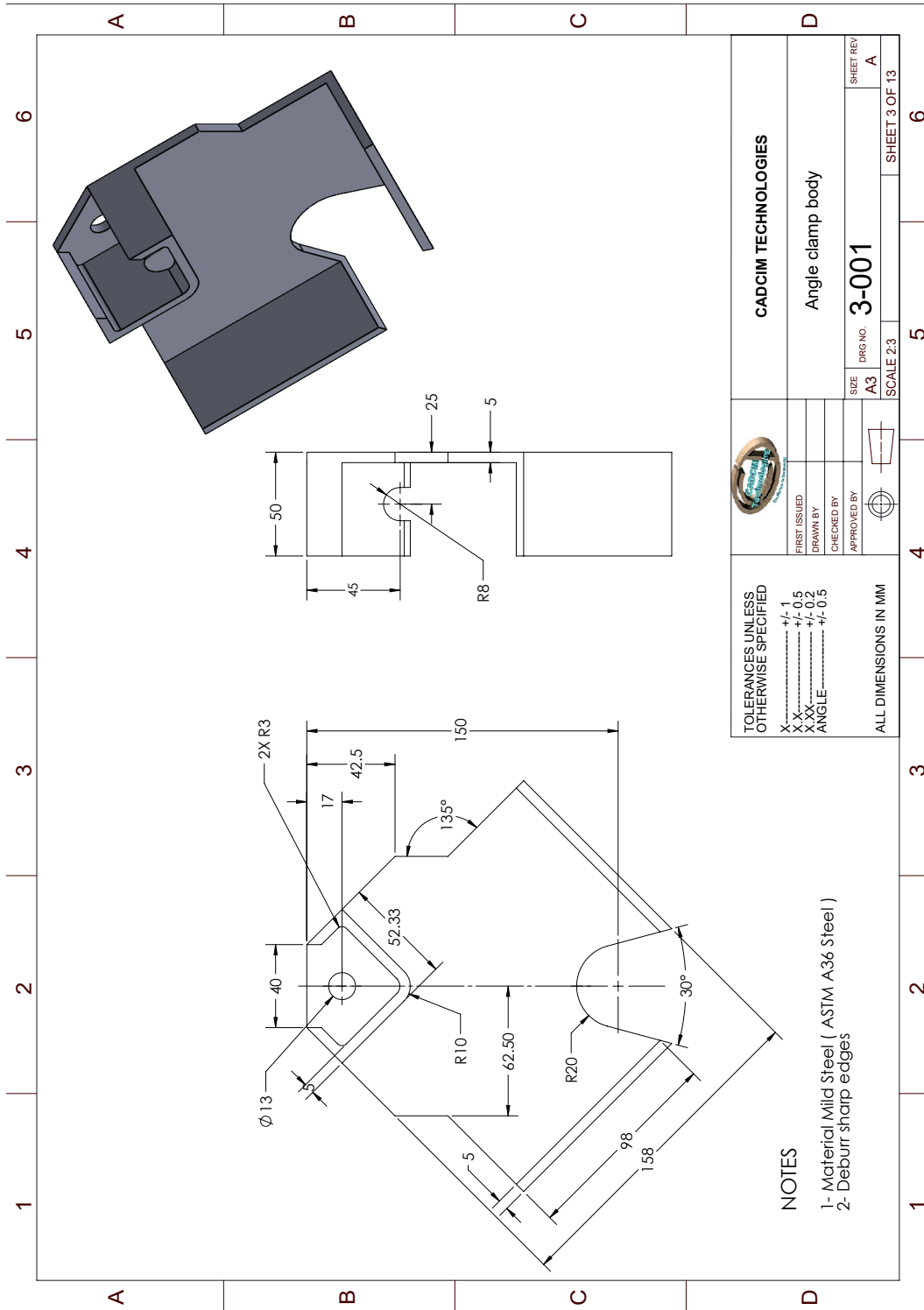


Figure P3-3 Views and dimensions of Angle Clamp Body

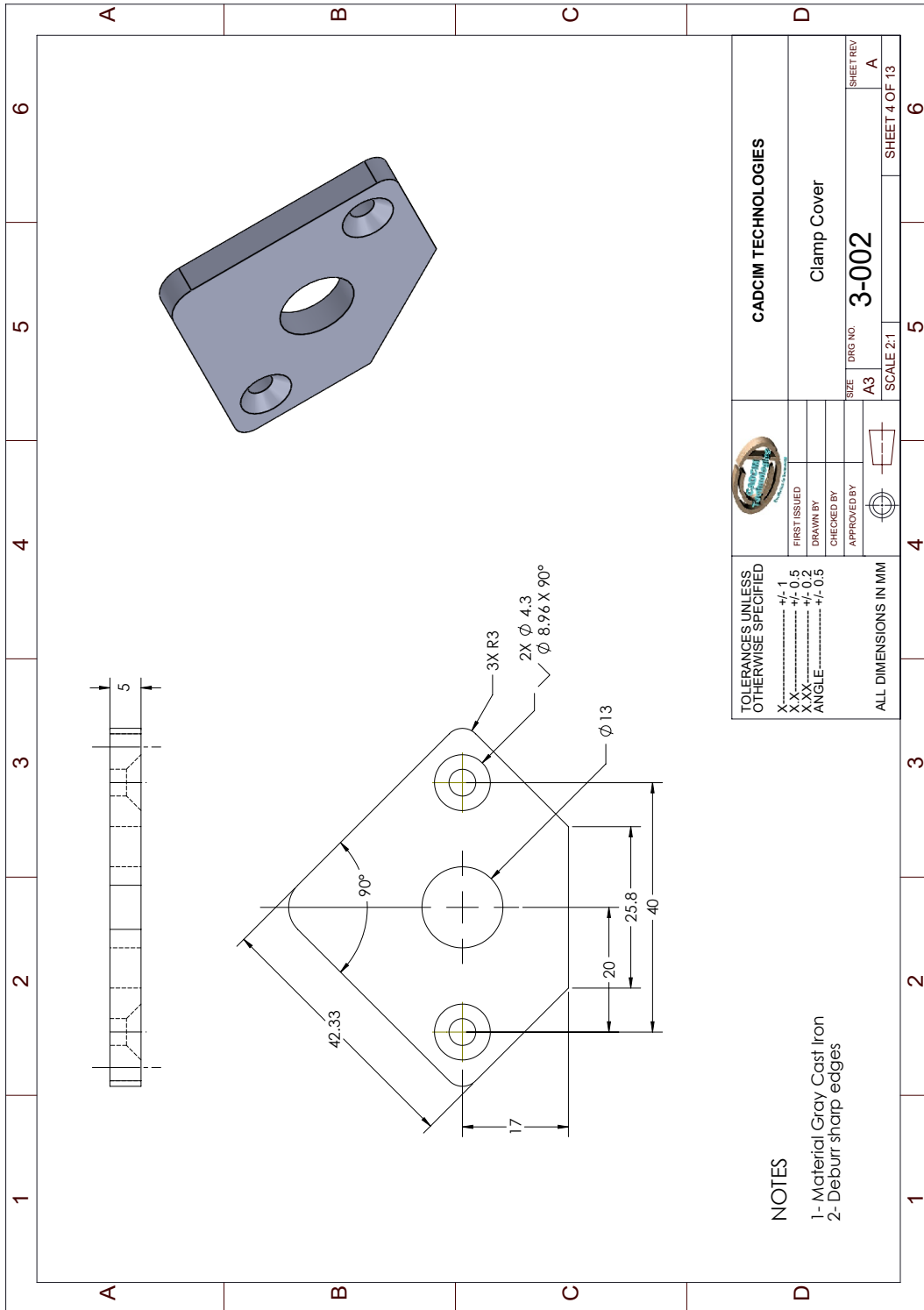


Figure P3-4 Views and dimensions of Clamp Cover

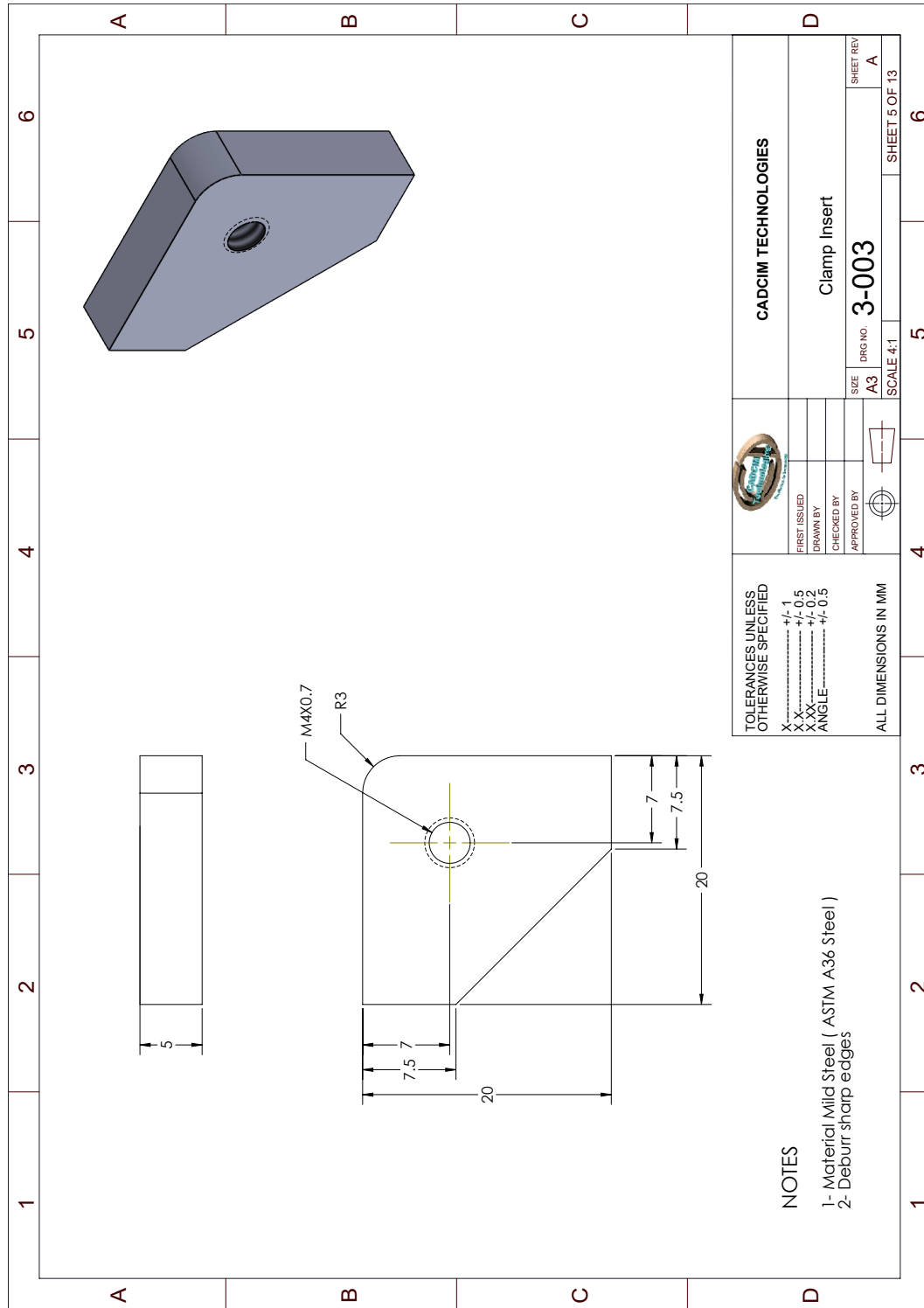


Figure P3-5 Views and dimensions of Clamp Insert

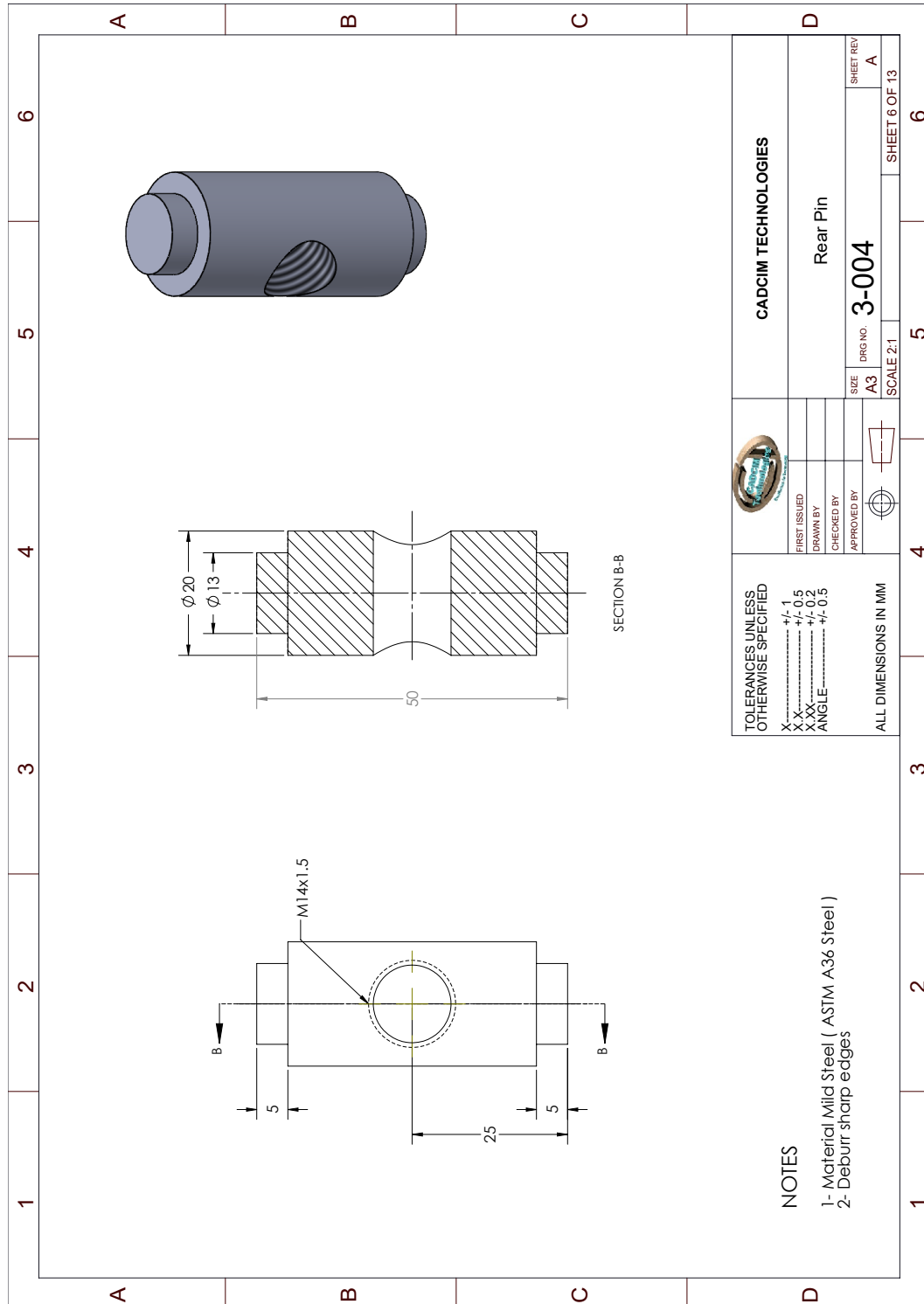


Figure P3-6 Views and dimensions of Rear Pin

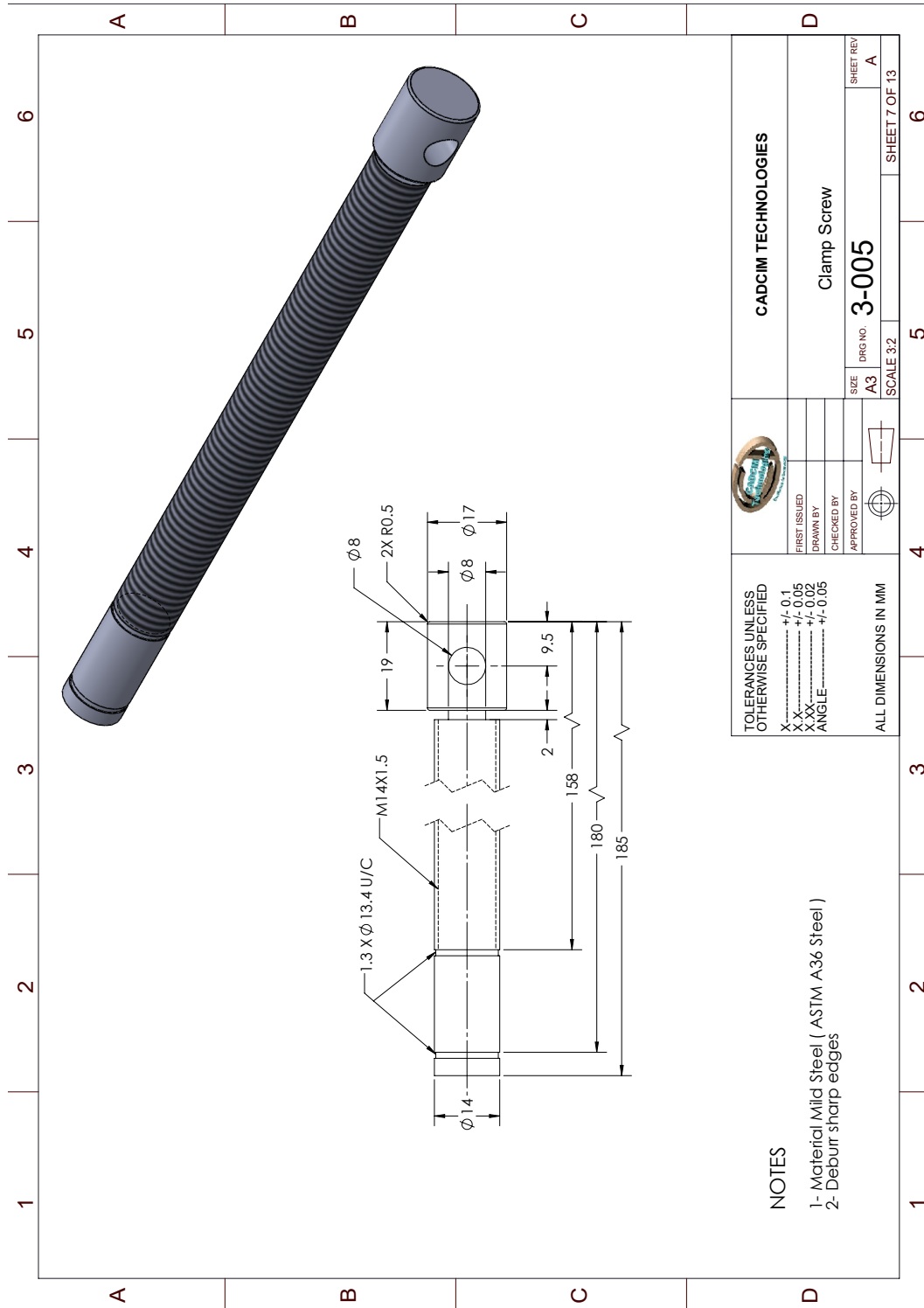


Figure P3-7 Views and dimensions of Clamp Screw

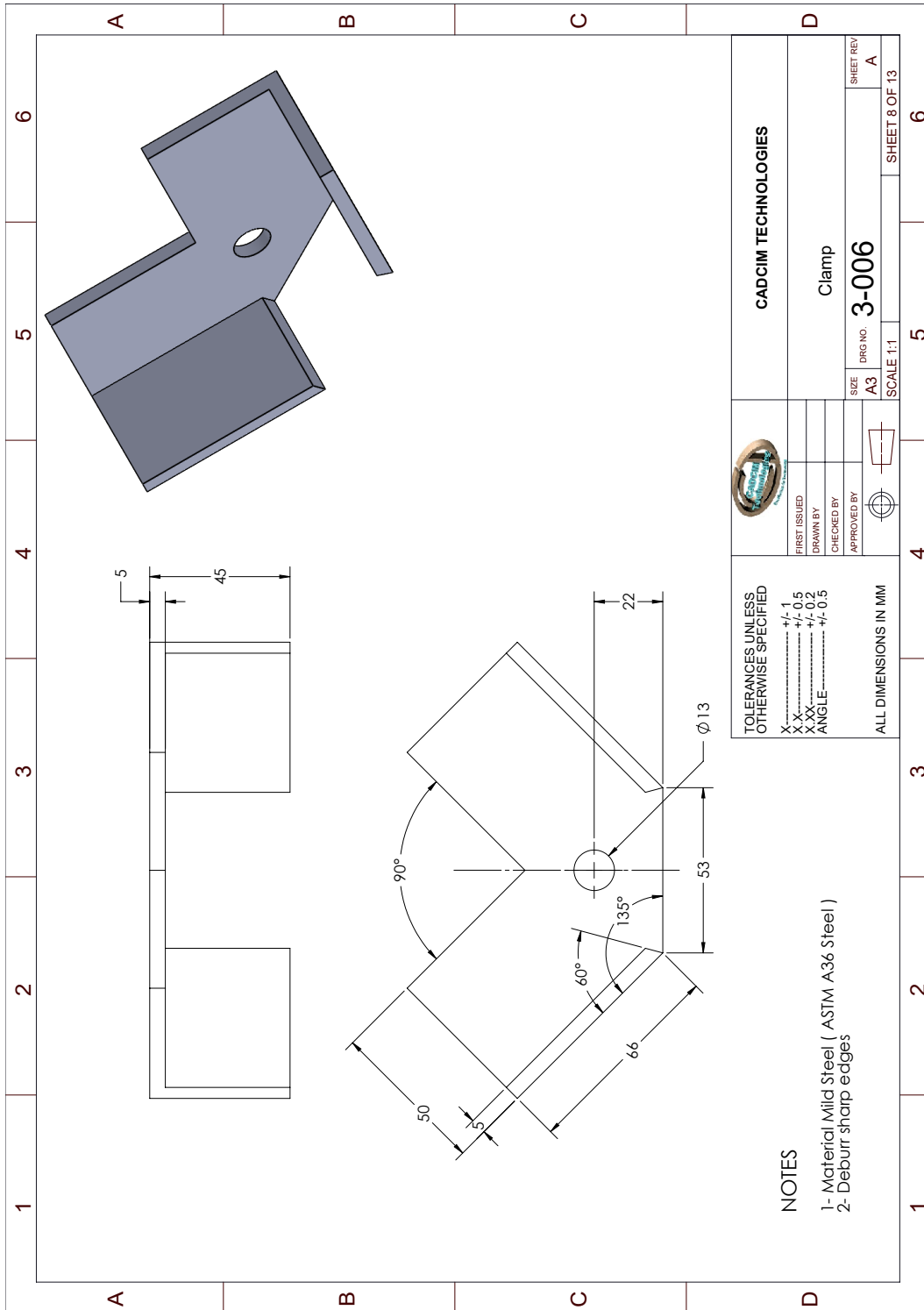


Figure P3-8 Views and dimensions of Clamp

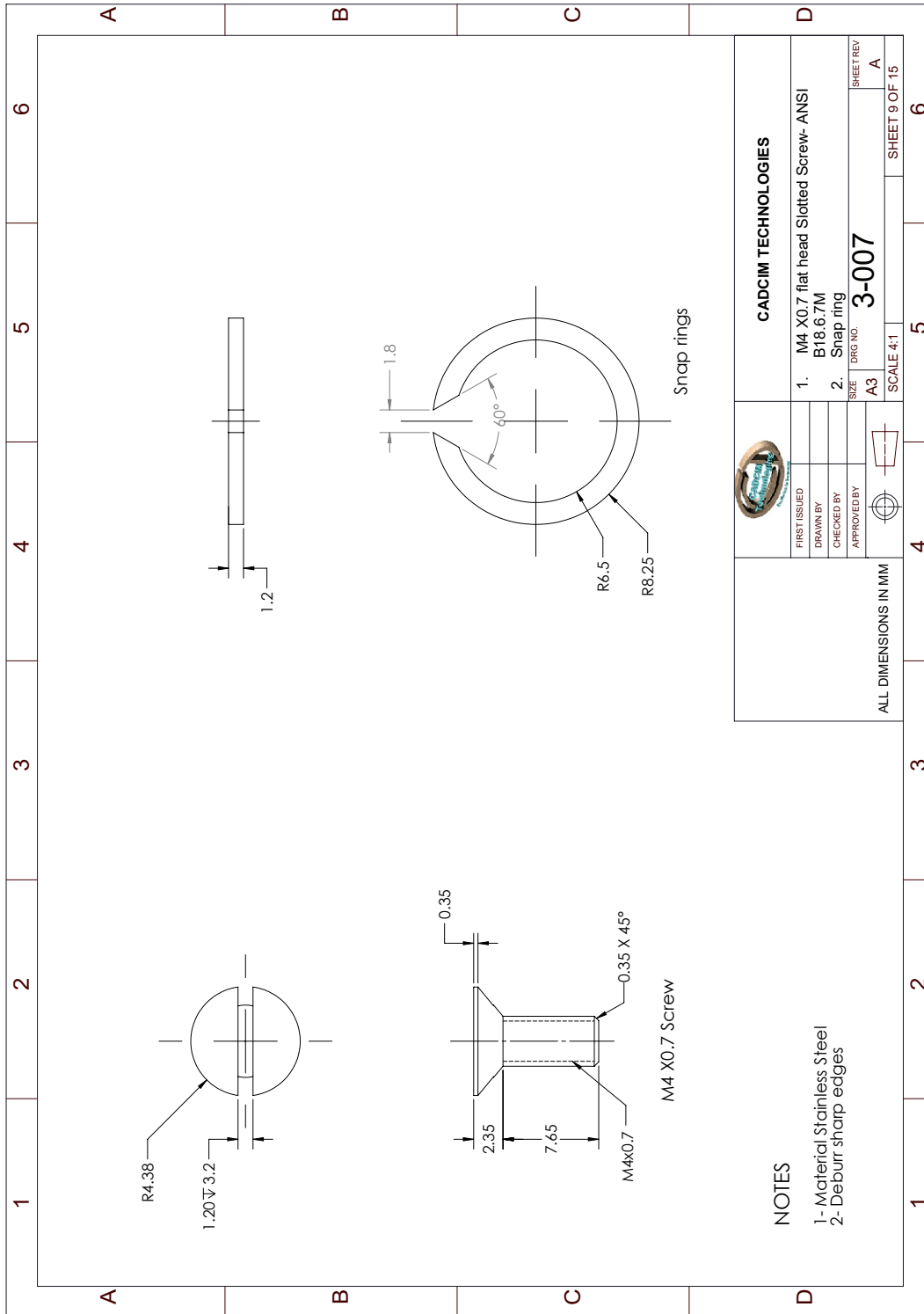


Figure P3-9 Views and dimensions of M4 X 0.7 flat head slotted screw

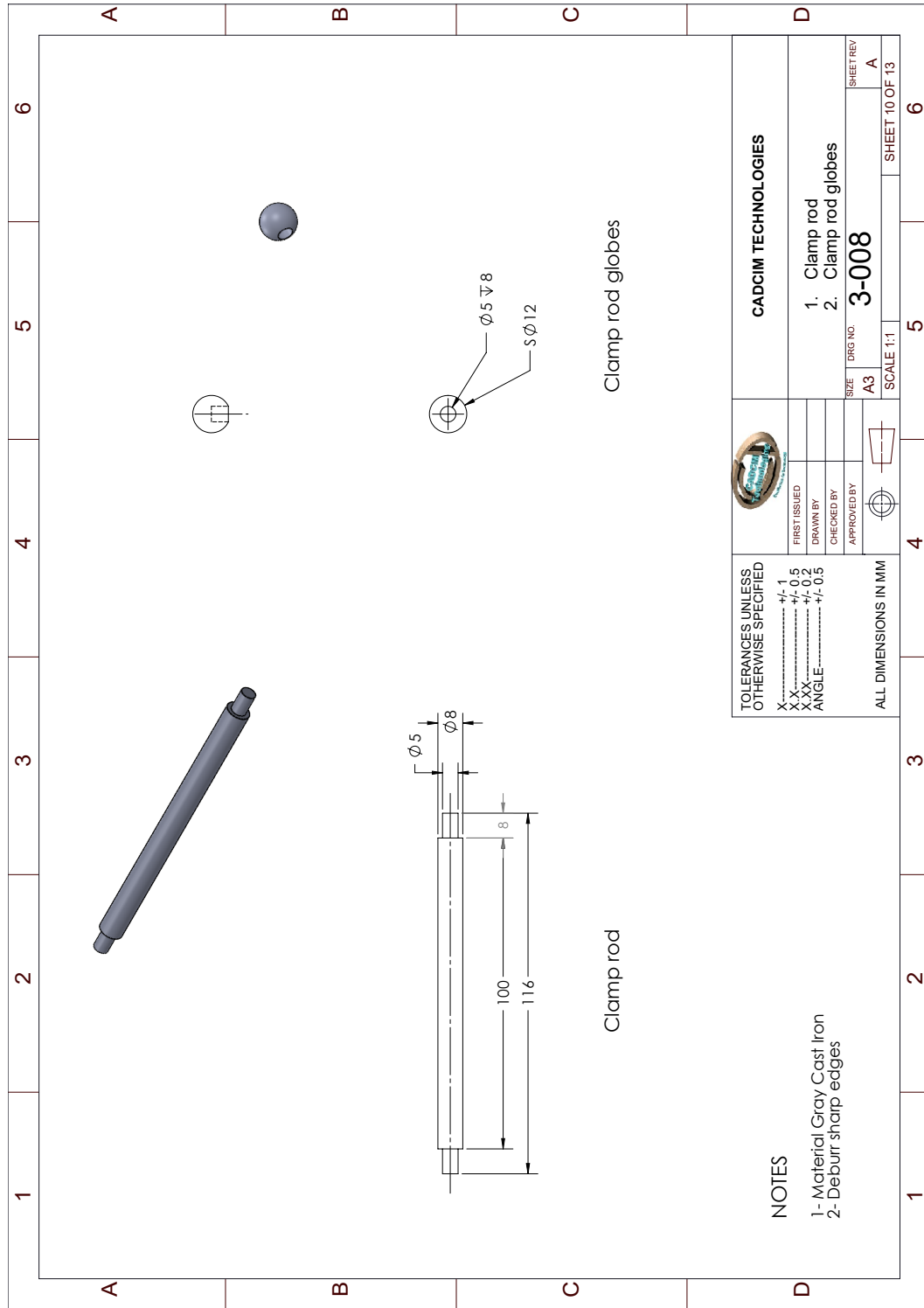


Figure P3-10 Views and dimensions of Clamp Rod and Clamp Rod Globes

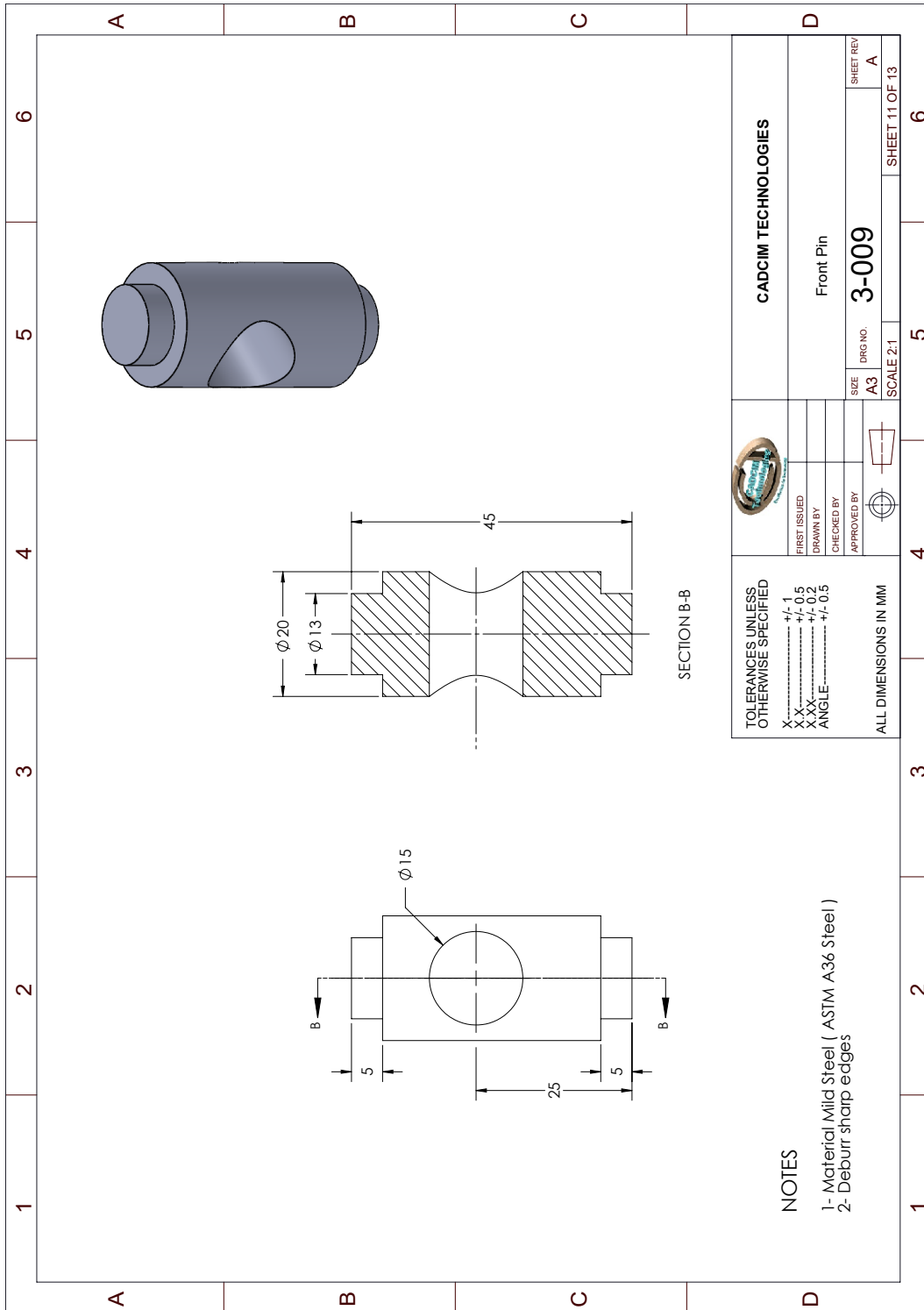


Figure P3-11 Views and dimensions of Front Pin

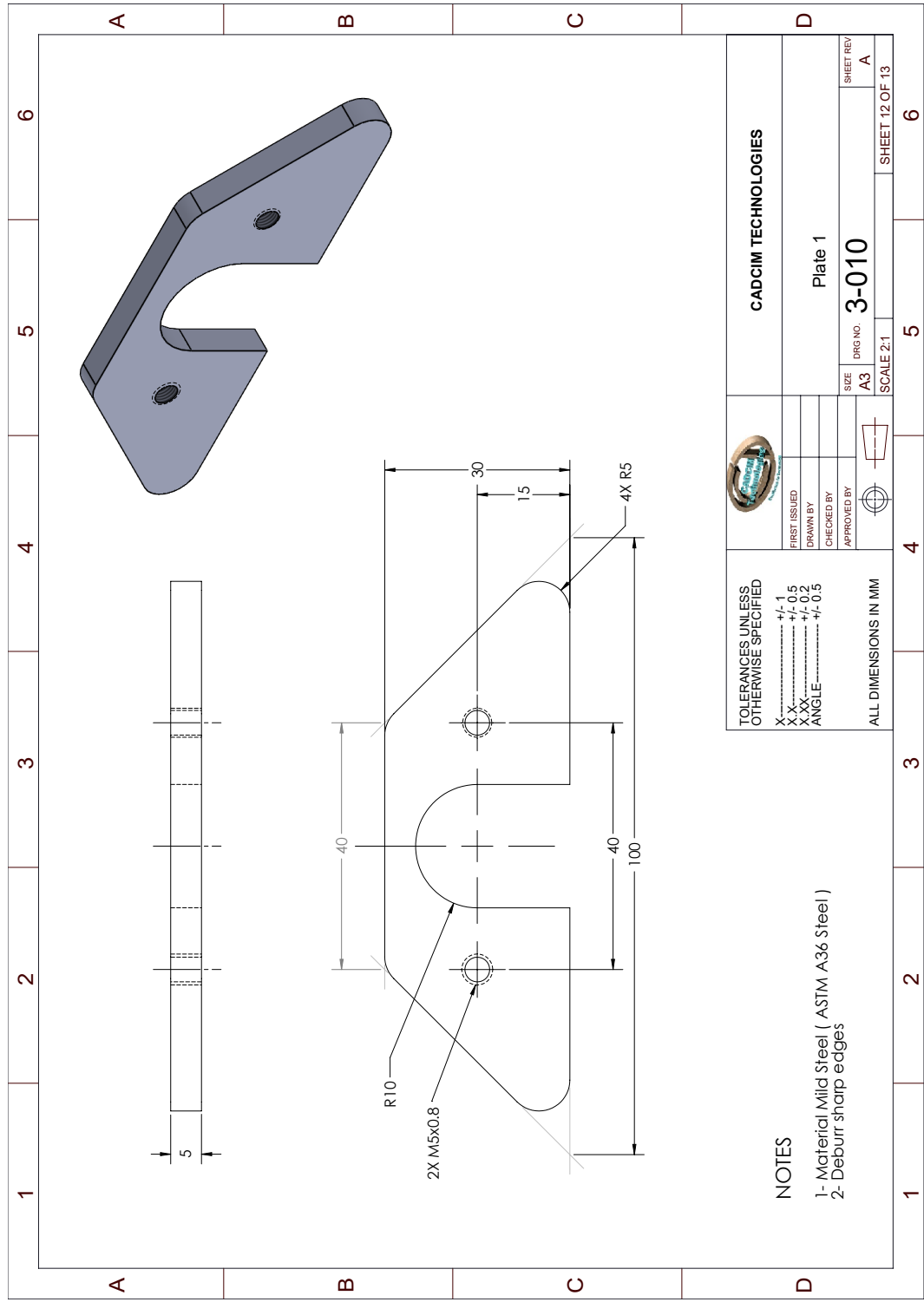


Figure P3-12 Views and dimensions of Plate 1

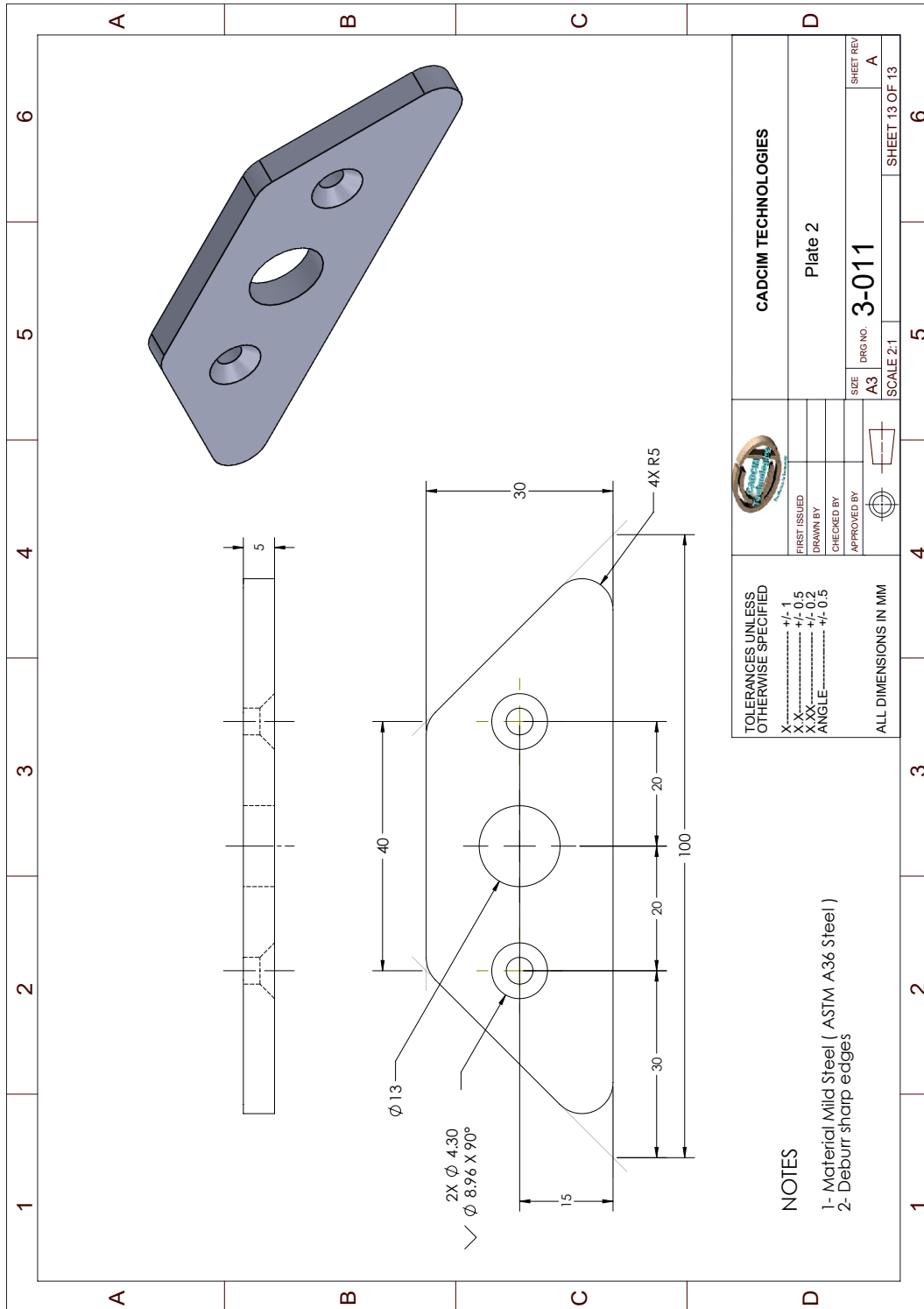


Figure P3-13 Views and dimensions of Plate 2